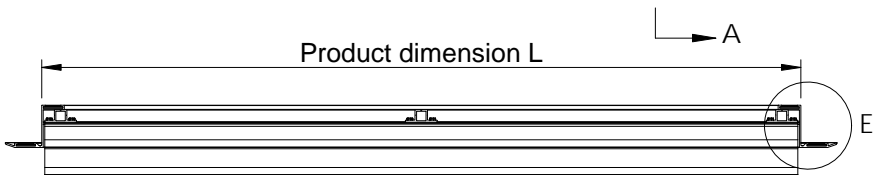
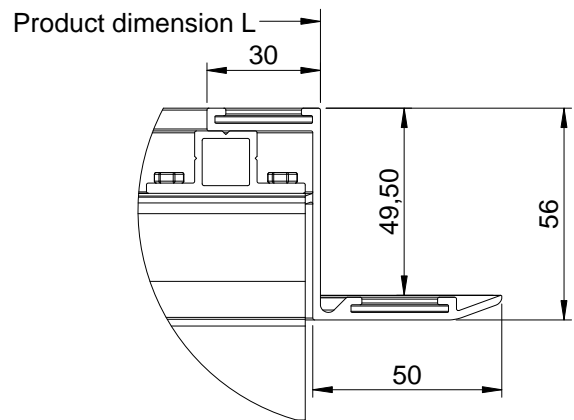


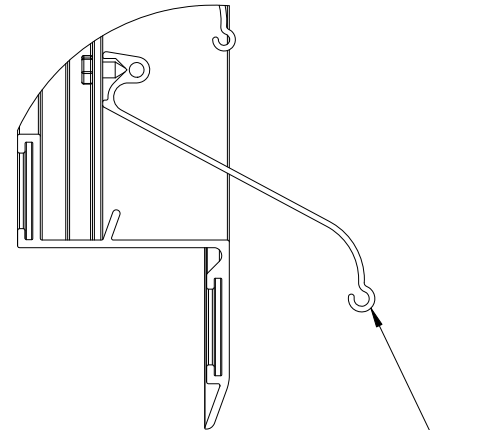
DETAIL C
SCALE 1 : 2



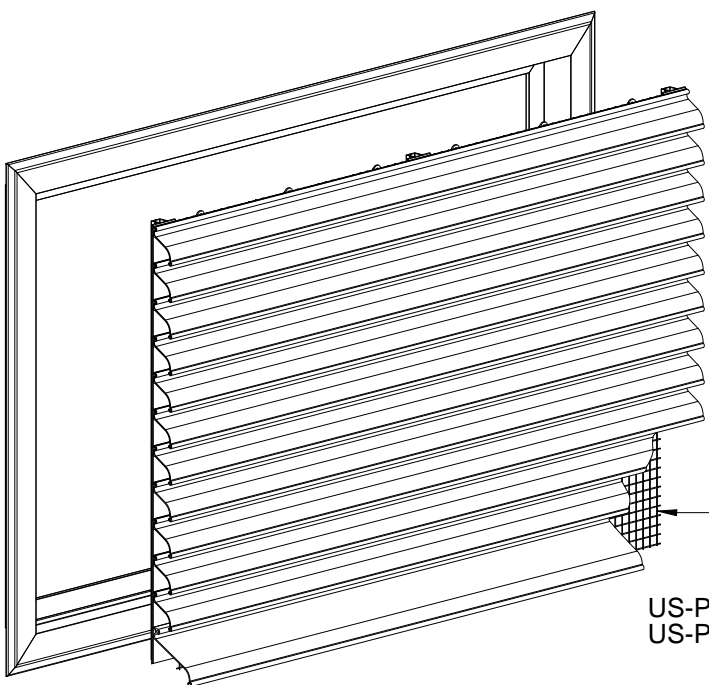
SECTION B-B



DETAIL E
SCALE 1 : 2




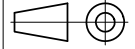
DETAIL D
SCALE 1 : 2



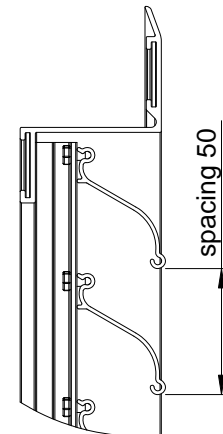
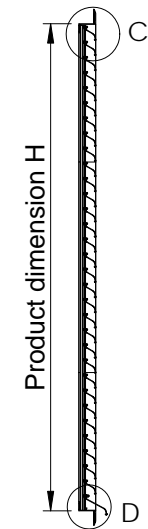
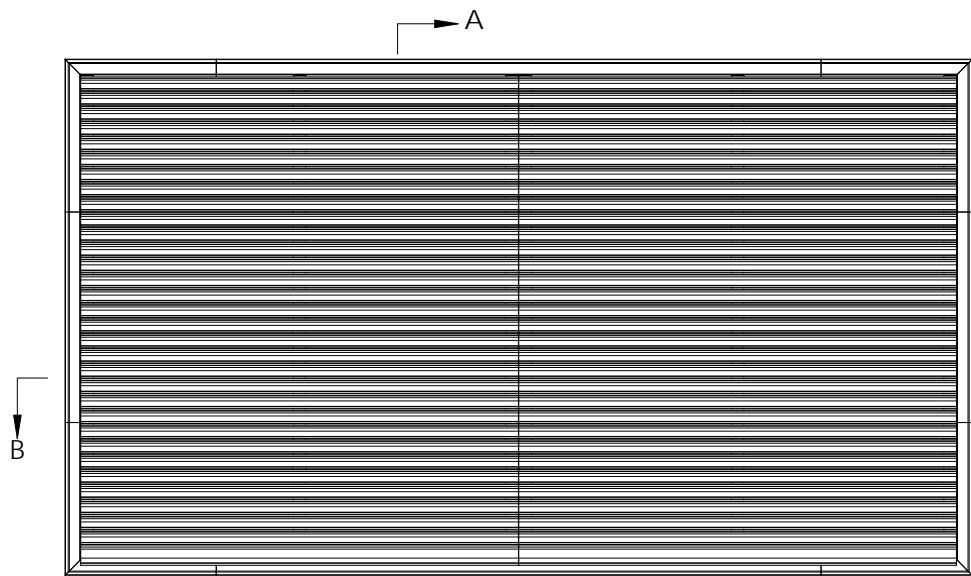
Net
13x13x1
if required.

US-P = no net
US-PV = with net

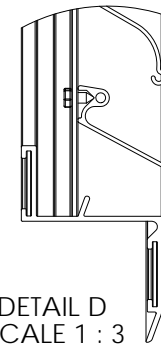
Standard case, bottom profile is wider.
Possible to make from same profile if required

		Mittakaava Scale 1:10 A4	Tuote Product US-P	Piirtänyt Drawn by HRi
	Nimi Name US-P(V)_Det4_Profile 1	Materiaali Material Aluminium	Pvm. piirretty Date created 15.2.2013	Pintakäsittely Surface finish Powder painting

+358 (0)20 742 1700

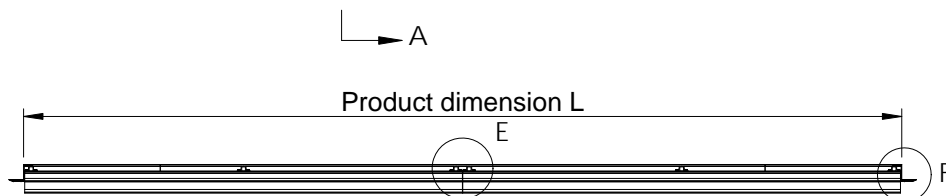


DETAIL C
SCALE 1 : 3



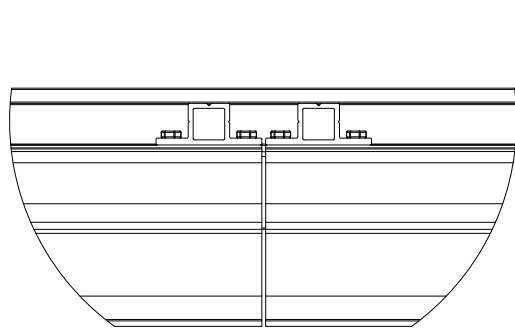
DETAIL D
SCALE 1 : 3

Standard case, bottom profile is wider.
Possible to make from same profile if required

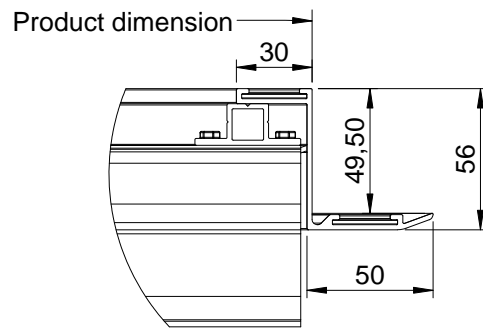


SECTION B-B

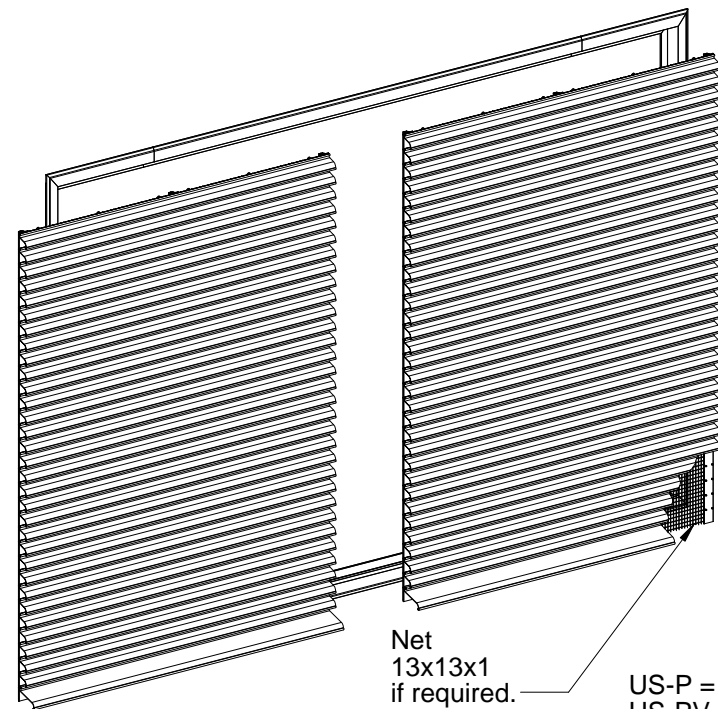
SECTION A-A



DETAIL E
SCALE 1 : 3

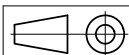


DETAIL F
SCALE 1 : 3



Net
13x13x1
if required.

US-P = no net
US-PV = with net



Mittakaava Scale
1:25 A4

Tuote Product
US-P

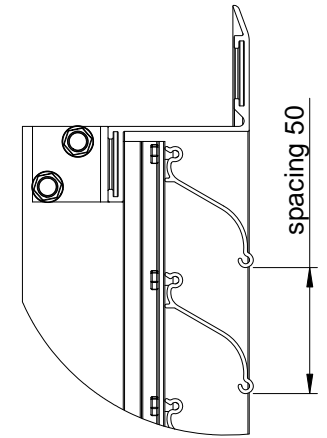
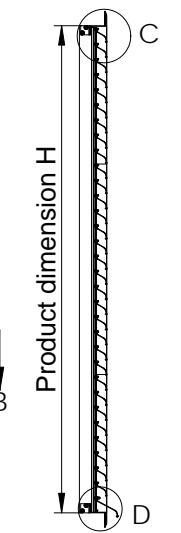
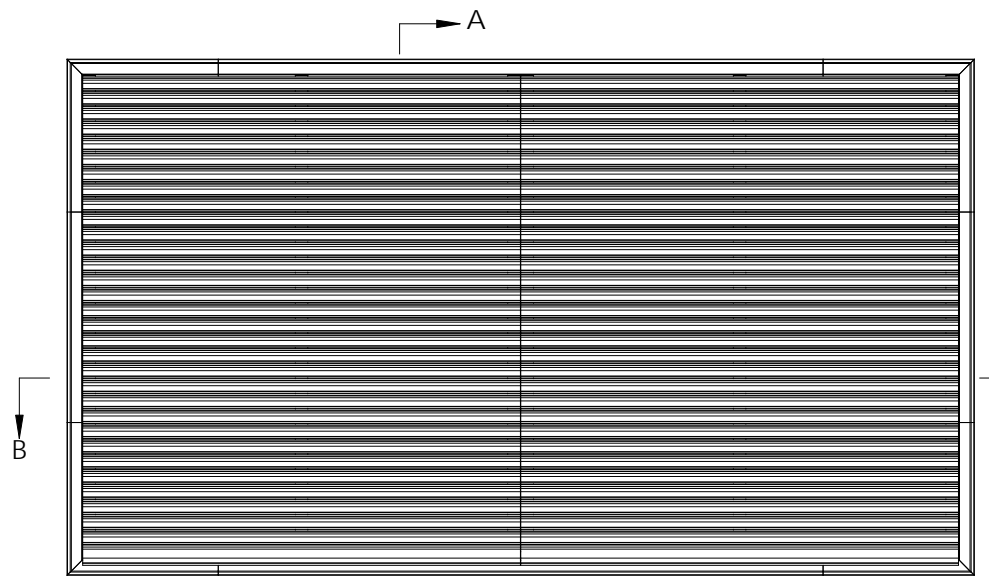
Piirtänyt Drawn by
HRi



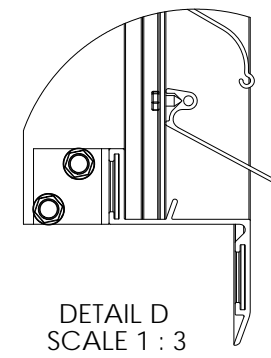
+358 (0)20 742 1700

Nimi Name
US-P(V) Det4_Profile 1_divided
Materiaali Material
Aluminium

Pvm. piirretty Date created
15.2.2013
Pintakäsittely Surface finish
Powder painting

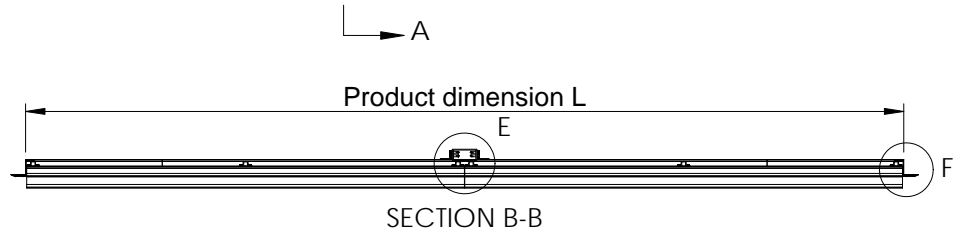


DETAIL C
SCALE 1 : 3

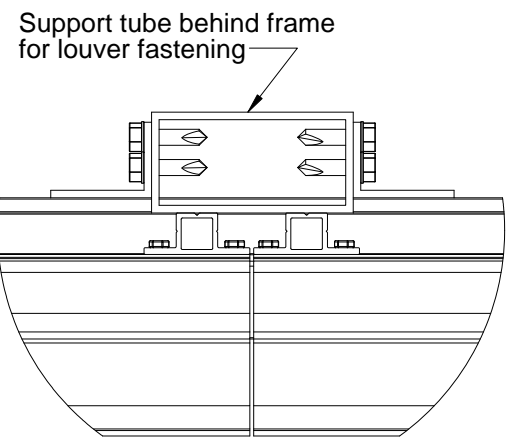


DETAIL D
SCALE 1 : 3

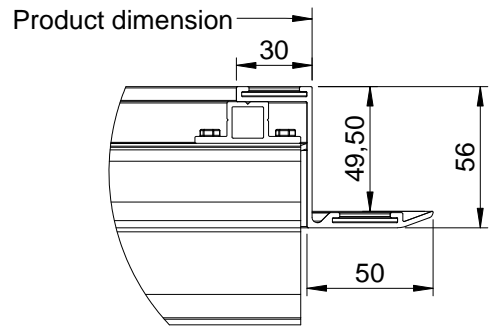
Standard case, bottom profile is wider.
Possible to make from same profile if required



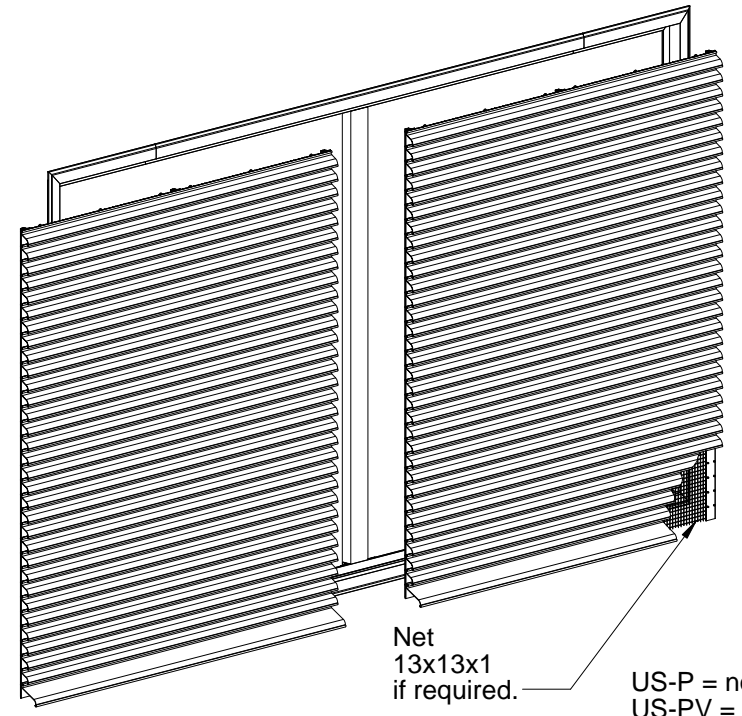
SECTION A-A



DETAIL E
SCALE 1 : 3




DETAIL F
SCALE 1 : 3



Net
13x13x1
if required.

US-P = no net
US-PV = with net

 +358 (0)20 742 1700	Mittakaava Scale 1:25 A4	Tuote Product US-P	Piirtänyt Drawn by HRi
	Nimi Name US-P(V) Det4_Profile 1_divided	Materiaali Material Aluminium	Pvm. piirretty Date created 15.2.2013